

PRODUCT CODE: DC1B
DOME COVER



DESCRIPTION

20mm Dome Cover

FINISH

Black Enamel

MATERIAL

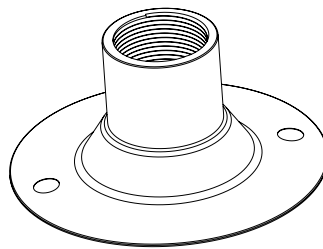
Pressed Steel

PACKAGING

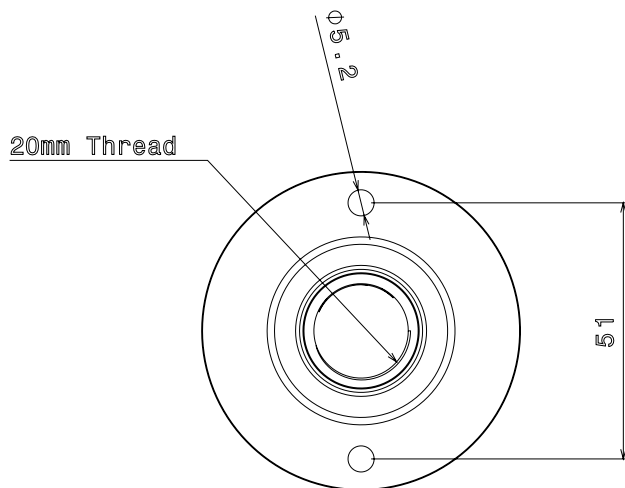
Packed in qty 25

ADDITIONAL NOTES

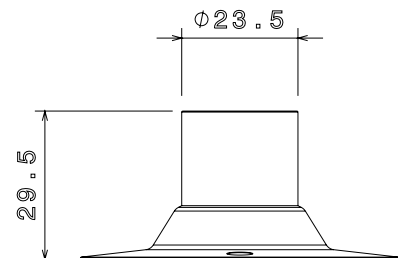
Conforms to BS EN61386-1
Compliant to LU Standard 1-085 (for use on surface & sub-surface locations)



Isometric view



Top view



Side view